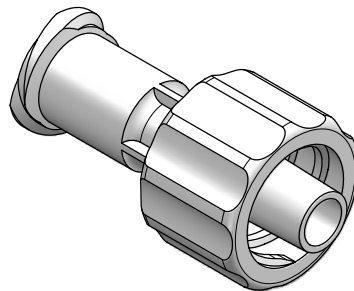
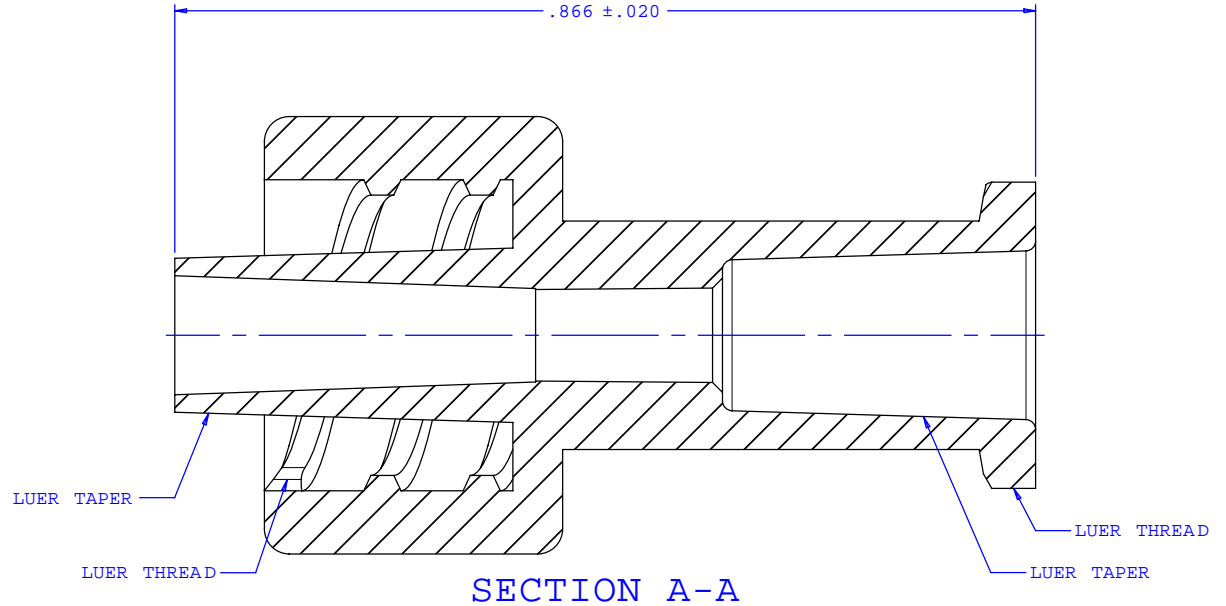
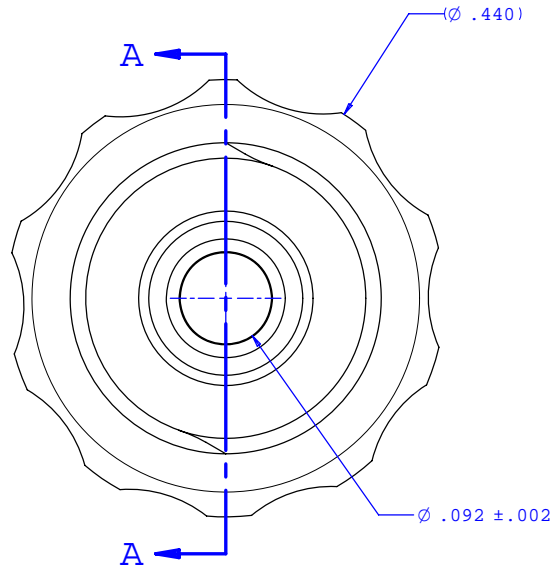


NOTE: FOR MORE DETAILS SEE YOUR V.P.CUSTOMER SERVICE REP.

REVISIONS			
REV.	DESCRIPTION	DATE	APPROVED
A	INITIAL RELEASE	03-21-02	
B	CO 039 Drafting Update	05-08-06	Rick C.



UNLESS OTHERWISE SPECIFIED DIMENSIONS ARE IN INCHES TOLERANCES ARE:		VALUE PLASTICS, INC.	
FRACTIONS ±	DECIMALS .XX ±.01 .XXX ±.005 .XXXX ±.001	ANGULAR ±1°	PART NUMBER: CF239
DO NOT SCALE DRAWING		DESCRIPTION: Male Luer Integral Lock Ring to Female Luer Thread Style Extended Coupler	
DRAWN BY: Frank Lombardi	DATE: 02-11-06	SIZE: B	SCALE: NTS
ENGINEER/ MANAGER: Rick Cairns	DRAWING NUMBER: 1008279	REV. B	SHEET: 1 OF 1
		© 2006 VALUE PLASTICS, INC.	

FOR REFERENCE ONLY